



Tel: 800.285.0666 | sales@wastequip.com  
www.galbreathproducts.com

Dual Pivot

## DUAL PIVOT HOOK HOISTS

### MODELS: U4/5 & U5-DPHK

(DPHK) – **Dual Pivot Hook Hoists** are ideal for the waste, recycling, landscaping, construction and roofing industries by offering greater versatility than traditional roll-off cable hoists. With adjustable hook heights, the U4/5-DPHK models have the advantage of essentially two hoists in one. Dual pivot hook hoists keep containers safely secured to the hoist frames during the dump cycle with rear container hold downs and a rear pivoting hinge. Through the ease of in-cab hoist operation, the U4/5-DPHK and U5-DPHK models improve operator safety and efficiency through faster cycle times.



## Standard Features

- Inside air controls mounted in ergonomic power tower featuring Plug And Play™ wiring
- Back-up alarm & hoist up alarm with signal light in cab
- Secondary manual controls mounted outside on driver's side
- Stationary rear hold downs
- Dual rear rollers are ductile cast iron 6" OD and flared sides with bronze bushing
- Adjustable hook heights via pull pin design (54" & 61 ¾" – U4/5-DPHK only)
- In frame rail rollers and bronze bushings allow for smooth loading/unloading)
- Twin locking mechanism for dual pivot activation
- Pintle adaptable rear apron and bumper assembly complete with DOT approved LED Lighting
- 3 micron return filtration inside of 50-gallon steel tank with dual sight/temp gauge
- Warranty: Lifetime on hoist frame and 2-year limited on hydraulic system
- Customized engineering layouts ensure the exact fit for each customer
- Engineered and manufactured in the U.S.

FEATURE	
Hoist main frame	Structural tubing A500 grade C
Jib frame/pivot tube	Structural tubing A500 grade C & A514 - T1 steel
Hydraulic pump	Gear type 37.5 GPM @1,500 RPM
Operating pressure	3,500 PSI
Hydraulic valve	2 spool / 45 GPM w/ safety bypass
Oil reservoir	50-gallon steel tank w/ internal 3 micron return filtration
Lift cylinders	(2) dual acting rod type
Jib cylinders	(1) dual acting rod type
Hinge shaft	2" solid steel
Front stops	Jib fully extended
Hold downs	Stationary rear hold downs
Container stools	Rollers w/ bronze grease grooved bearings
Pickup Hook	A514 - T1 steel
Hook height	U4/5 - adjustable 54" to 61.75"; U5 - fixed @ 61.75"
Rear stabilizer	Optional (10" ground roller, hyd. activated)



Inside air controls mounted in ergonomic power tower featuring Plug And Play™ wiring



Secondary manual controls mounted outside on driver's side



3 micron return filtration inside of steel tank



50-gallon steel hydraulic tank side mounted with dual sight / temp gauge



In frame rail rollers and bronze bushings allow for smooth loading / unloading



Twin locking mechanism for dual pivot activation



Dual rear rollers are ductile cast iron 6" OD and flared sides w/ bronze bushing



Pintle adaptable rear apron; Stationary rear hold downs

## Available Options

- Pioneer tarping systems
- Toolbox (various sizes and styles: steel, aluminum and poly)
- Pintle hook tow packages
- Back-up camera systems
- Hydraulics / wet kits to the rear (single & dual acting)
- Fenders (various sizes and styles: steel, aluminum and poly)
- Safety and work light packages
- Pass through hold downs
- Short stops for shorter containers  
\*U5-DPHK-200 only
- Rear hydraulic activated stabilizer with 10" ground roller



Pioneer tarping systems



Toolbox (various sizes and styles: steel, aluminum and poly)



Pintle hook tow packages; Back-up camera systems



Fenders (various sizes and styles: steel, aluminum and poly)



Safety and work light packages



Back-up camera system



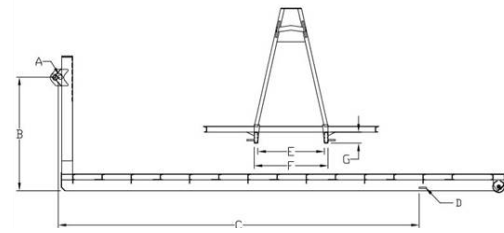
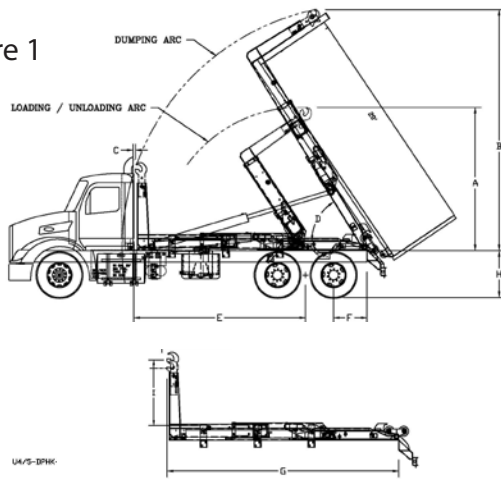
Rear hydraulic activated stabilizer with 10" ground roller

**U5-DPHK-200** shown with Pioneer RP4500SARG; Full length bumper; (2) lift axles; 4" work lights and quad axle poly fenders



Dual Pivot

Figure 1



Lift Bar Dia.	Hook Ht.	Bar to Hold Down	Hold Down Locations	Inside Sill Width	Outside Sill Width	Long Still Ht.
A	B	C	D	E	F	G
2 1/2"	54"	197 1/2" min.	Inside & Outside	36 1/2" min.	41 3/4" max.	6"
2 1/2"	61 3/4"	197 1/2" min.	Inside & Outside	36 1/2" min.	41 3/4" max.	6"

**Notes for Figure 1**

- When recommending container lengths, weight distribution, fender interference and overhang are factors. Please consult your local ordinances when determining the model of hoist needed to suit your container needs.
- Factory tested with recommended container length and water level load.
- Total maximum height will depend on the container and frame height. Consult engineering for clearance.
- Frame Height = Top of truck chassis frame to ground. Using 22 1/2" tires only. Tested w/ 43 3/8" frame height; any truck frame higher than 43 3/8" will change hoist capacities, dump angle and its ability to snatch onto the bar. For higher truck frames or using larger tires, consult engineering for clearance and capacity ratings.
- This distance does not allow for a behind the cab (BTC) oil reservoir, tarp platform and or room to add a tarp; must add space for those items.
- Air ride suspensions require up to 25" maximum after frame.

**Minimum Truck Requirements (Tandem Axle)**

Axle rating: 18,000 front / 44,000 rear

Truck torque: 418 ft. lbs.

\*The chart below is an example of how to calculate the chassis section modulus (RBM / PSI = SM).

Regardless of the frame YIELD and RBM, the min. SM must be 20 in<sup>3</sup> or more per each frame rail.

Truck Channel Ht.	RBM	Yield (PSI)	RBM/PSI = SM in <sup>3</sup>
10" or more (single wall)	2,400,000- 4,500,000	120,000 psi	20 in <sup>3</sup> - 37.5 in <sup>3</sup>
10" or more (double wall)	2,000,000- 4,000,000	100,000 psi	20 in <sup>3</sup> - 40 in <sup>3</sup>

Note: The single walled 120k psi with RBM less than 2,400,000 would not be acceptable because its SM would fall below the 20 in<sup>3</sup> minimum specification (2,300,000 / 120,000 = 19.17 in<sup>3</sup>). For frames less than 10" consult engineering.

Specifications (Tandem Axle)	U4/5-DPHK-176	U4/5-DPHK-200	U5-DPHK-176	U5-DPHK-200	U5-DPHK-224
Recommended Container Size – <sup>1</sup>	16' to 20'	18' to 22'	16' to 20'	18' to 22'	20' to 24'
Rated Hoist Capacity @ Hook Height <sup>2</sup>	40k lbs. @ 54" 50k lbs. @ 61 3/4"	40k lbs. @ 54" 50k lbs. @ 61 3/4"	50k lbs. @ 61 3/4"	50k lbs. @ 61 3/4"	50k lbs. @ 61 3/4"
A – Max. Hook Height (Load/Unloading) <sup>3,4</sup>	128 3/8" or 132 3/8"	128 3/8" or 132 3/8"	133 1/4"	133 1/4"	149 1/2"
B – Max. Hook Height (Dumping) <sup>3,4</sup>	220 3/8" or 224 3/4"	220 3/8" or 224 3/4"	224 3/4"	232 7/16"	250 1/2"
C – Back of Cab to Hoist <sup>5</sup>	3"	3"	3"	3"	3"
D – Dump Angle	58°	49°	58°	49°	49°
E – (CT) Cab to Trunnion <sup>5</sup>	176"	200"	176"	200"	224"
F – After Frame <sup>6</sup>	14 1/2" to 25" max.	14 1/2" to 25" max.	14 1/2" to 25" max.	14 1/2" to 25" max.	14 1/2" to 25" max.
G – Hoist Length	213"	232"	213"	232"	252"
H – Frame Height <sup>4</sup>	43 3/8" or less	43 3/8" or less	43 3/8" or less	43 3/8" or less	43 3/8" or less
I – Hook Height	54" or 61 3/4"	54" or 61 3/4"	61 3/4"	61 3/4"	61 3/4"
Lift Cylinders - (2) dual acting	7" x 3 1/2" x 81"	7" x 3 1/2" x 81"	7" x 3 1/2" x 81"	7" x 3 1/2" x 81"	7" x 3 1/2" x 81"
Jib Cylinder - (1) dual acting	4" x 2 1/2" x 48"	4" x 2 1/2" x 48"	4" x 2 1/2" x 48"	4" x 2 1/2" x 48"	4" x 2 1/2" x 52"
Rear Stabilizer	Optional	Optional	Optional	Optional	Optional
Approximate Weight w/ Standard Features	7,234 lbs.	7,403 lbs.	7,194 lbs.	7,363 lbs.	7,789 lbs.
<b>Cycle Times @ 37.5 GPM &amp; 1,500 RPM</b>					
Extending Dump	43 sec.	43 sec.	43 sec.	43 sec.	43 sec.
Retracting Dump	32 sec.	32 sec.	32 sec.	32 sec.	32 sec.
Extending Jib	4 sec.	4 sec.	4 sec.	4 sec.	4 sec.
Retracting Jib	3 sec.	3 sec.	3 sec.	3 sec.	3 sec.

**Distributed by:**



Galbreath is a Wastequip brand. Wastequip is the leading North American manufacturer of waste and recycling equipment for collecting, processing and transporting recyclables and solid or liquid waste. © Wastequip 2017 All rights reserved. Specifications subject to improvement without notice. Equipment displayed should be operated by properly trained personnel. Operators should become familiar with OSHA, ANSI and any other applicable standards or laws for using this equipment. Improper use, misuse, or lack of maintenance could cause injury to people and/or property. Photos used in the literature are illustrative only. We assume no liability or responsibility for proper training/operation of equipment not manufactured by Wastequip. We reserve the right to make changes at any time without notice. Information contained within this literature is intended to be the most accurate available at time of printing.