



Tel: 800.285.0666 | sales@wastequip.com
www.galbreathproducts.com

TM - Models

LEGACY (U-SERIES) CABLE HOISTS MODELS: CA-TM-22 & -24

(CA-TM) – **California Trough Mount** hoists are versatile and can haul a variety of containers with various understructure layouts. The trough section atop the hoist frame can be manufactured to specific widths and with variations to the tail sections. The CA-TM hoists are designed for the West Coast market, but can be easily adapted for applications in other areas around the country.



Standard Features

- Inside air controls mounted in ergonomic Power Tower featuring Plug And Play™ wiring
- Outside controls mounted on driver's side
- Air assist auto folding ICC bumper
- Pintle ready rear aprons featuring a split bumper with LED lighting
- 10" wide troughs with flared tails
- All pivot joints & sheave blocks are easily accessed for service and grease
- 3 micron return filtration inside of steel tank with dual sight/temperature gauge
- Lifetime warranty on hoist frame, 2-year limited hydraulic system warranty
- Customized engineering layouts ensure the best fit for each customer
- Backup alarm and hoist up alarm with signal light

FEATURE	
Hoist main frame	8" x 4" x 1/2" – A500 Grade C tubing
Hoist sub frame	3" x 2" x 3/8" – A500 Grade C tubing
Hydraulic pump	Gear type 35 GPM @ 1,500 RPM (nominal)
Operating pressure	1,850 PSI
Hydraulic valve	2 spool / 45 gpm with safety bypass
Oil reservoir	50-gallon steel tank with 3 micron return filtration system
Lift cylinders	(2) dual acting rod type
Hinge shaft	2 1/2" solid steel
Winch cylinders	(2) dual acting rod type
Cable/ cable end	7/8" steel cable with fixed hook cable end
Cable sheaves	10" grease grooved with bronze bushings
Cable anchors	(4) cable clamps
Front stop	(2) moveable steel blocks (various styles offered)
Front hold downs	4" nylon ratchet straps
Rear hold downs	4" nylon ratchet straps
ICC bumper	Auto fold air assist

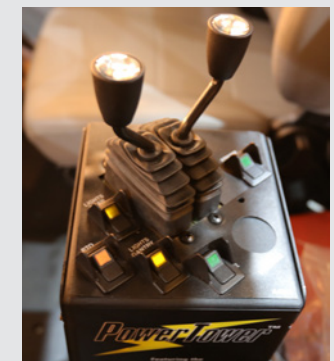
* Factory mount models



50-gallon steel hydraulic tank side mounted w/ dual sight/temp gauge



HD nylon ratchet container hold downs



Inside air controls center mounted in ergonomic Power Tower featuring Plug And Play™ wiring. (Top) traditional cab, (bottom) cab over



Huck bolted to chassis frames*



Air assist auto folding ICC bumper



HD rear apron pintle ready with split bumper and LED lighting

Available Options

- Steel, aluminum and poly fenders
- Pioneer tarping systems
- Trough width and flared tail variations
- Auxiliary stops and hold down systems
- Auxiliary hydraulic hook-ups/wet kits
- Lift axles
- Telescopic lift cylinders
- Tires and rims (steel, aluminum)
- Pintle hook and reese style hitch assemblies
- Speed limiting parameters for hoist up ground speed
- Scale systems
- Special models per customer request
- Hard plumbing
- Various styles of cable ends
- Toolbox styles and sizes
- 3 styles of moveable stops



Toolbox styles and sizes



Pioneer tarping systems



Trough widths (10" most common) and tail flaring styles available



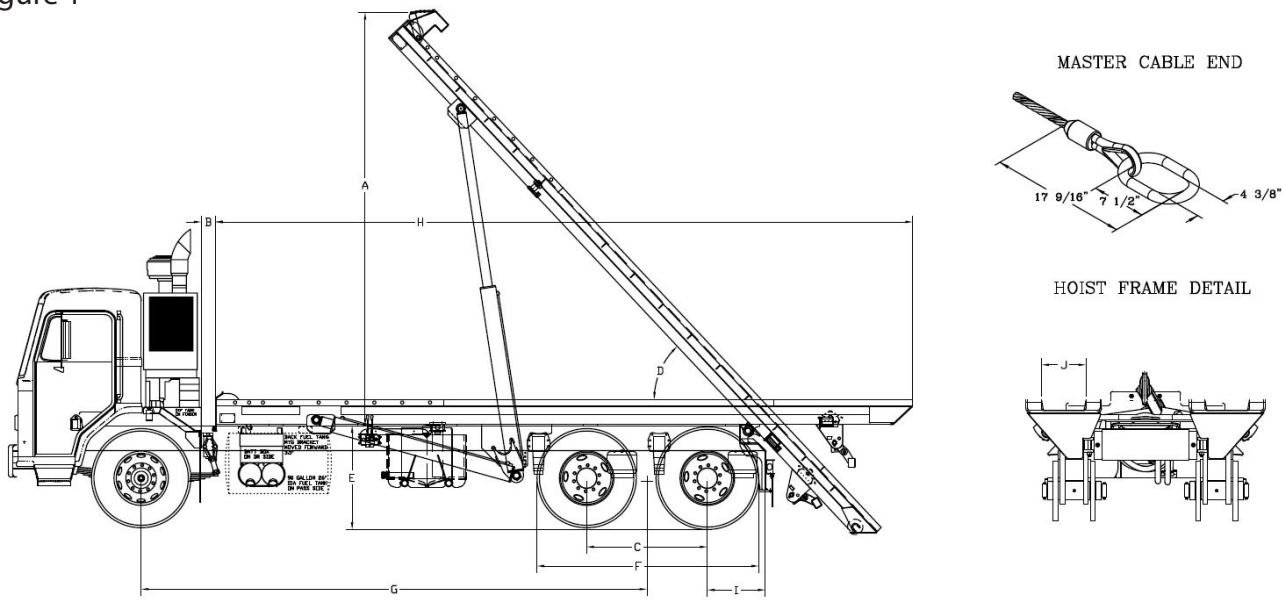
3 styles of moveable stops



CA-TM-24 shown with Pioneer Rack 'n Pinion®, safety hi-vis lighting, poly fenders, steel toolbox, fire extinguisher and straight trough options.

CA-TM

Figure 1



Specifications	CA-TM-22	CA-TM-24
Recommended container size ¹	18' to 22'	20' to 24'
Rated hoist capacity ²	60,000 lbs.	60,000 lbs.
A – Height above frame ³	164"	178 3/4"
B – Back of cab to hoist ⁴	6"	6"
C – Axle spread	51 – 55"	51 – 55"
D – Raised dump angle ³	48°	48°
E – Top of truck frame to ground ³	44"	44"
F – Tire OD to OD	96" max.	96" max.
G – Cab to trunnion (CT) Add 12" for tarper & hard plumbing	174"	194"
H – Hoist length ⁵	279 7/16"	299 1/4"
I – After frame (Add 2" for air ride)	23 – 25"	23 – 25"
J – Trough width (Various widths and tail flares available)	10" (common)	10" (common)
Lift cylinders	6" x 4 1/2" x 72"	6" x 4 1/2" x 72"
Winch cylinders	7" x 4" x 80"	7" x 4" x 90"
Extendible tail length	n/a	n/a
Approx. weight with standard features Ship out weight, un-mounted	7,895 lbs.	8,240 lbs.

Minimum Truck Requirements (Tandem Axle)

Axle rating: 18,000 front / 44,000 rear
Truck torque: 248' lbs.

**The chart below is an example of how to calculate the chassis section modulus (RBM / PSI = SM). Regardless of the frame YIELD and RBM, the min. SM must be 20 in³ or more per each frame rail.*

Truck Channel Ht.	RBM	Yield (PSI)	RBM/PSI = SM in ³
10" or more (single wall)	2,400,000- 4,500,000	120,000 psi	20 in ³ - 37.5 in ³
10" or more (double wall)	2,000,000- 4,000,000	100,000 psi	20 in ³ - 40 in ³

Note: The single walled 120k psi with RBM less than 2,400,000 would not be acceptable because its SM would fall below the 20 in³ minimum specification (2,300,000 / 120,000 = 19.17 in³). For frames less than 10" consult engineering.

Notes for Figure 1

- When recommending container lengths, weight distribution, fender interference and overhang are factors. Please consult your local ordinances when determining the model of hoist needed to suit your container needs.
- Factory tested with recommended container length and water level load.
- Frame Height = top of truck chassis frame to ground. Using 22.5" tires only. For larger tires, consult engineering for clearance.
- This distance does not allow for a behind the cab (BTC) oil reservoir, tarper platform and or room to add a tarper; must add distance for those items.
- Request additional tail length for truck frames higher than 45".

Distributed by:



Galbreath is a Wastequip brand. Wastequip is the leading North American manufacturer of waste and recycling equipment for collecting, processing and transporting recyclables and solid or liquid waste. © Wastequip 2017 All rights reserved. Specifications subject to improvement without notice. Equipment displayed should be operated by properly trained personnel. Operators should become familiar with OSHA, ANSI and any other applicable standards or laws for using this equipment. Improper use, misuse, or lack of maintenance could cause injury to people and/or property. Photos used in the literature are illustrative only. We assume no liability or responsibility for proper training/operation of equipment not manufactured by Wastequip. We reserve the right to make changes at any time without notice. Information contained within this literature is intended to be the most accurate available at time of printing.