



Tel: 800.285.0666 | sales@wastequip.com
www.galbreathproducts.com

WORK TRUCK SERIES

SINGLE AXLE CABLE HOISTS (LIGHT DUTY) MODELS: WT-1216/X & WT-2018/X

From general contractor projects to landscaping and waste handling, Galbreath's Work Truck Series Cable Hoists are designed to transport loaded containers and equipment up to 20k lbs. and 18' long. Say goodbye to welding onto the chassis frame with these light duty hoists featuring bolt-on-design for easy installation. Ideal for metropolitan areas, these hoists feature a wireless remote and electric operating system, which allows users to load and unload containers while monitoring low clearance and hard-to-get-to areas for safer and easier maneuverability. Purpose-built for versatility, Galbreath's Work Truck Series Cable Hoists are made to last.



Standard Features

- Electric over hydraulic operation using a wireless remote control (8-button w/ emergency stop)
- Secondary manual controls mounted outside (2-3 spool standard where applicable)
- 3 micron return filtration inside of steel tank
- BOC (back of cab) mounted steel tank w/ dual sight/temp gauge
- Adjustable rear apron and split bumpers and LED Lighting
- Bolt on rear apron (3-piece design)
- Rear wing skid plates & 2.5" outside rail rollers
- 5/8" Cable & 8" Cable sheaves w/ UHMW wear guides
- Tarp/valve mounting platform & protective valve cover (tarp system ready)
- Automatic spring loaded (pass over style) front safety lock
- In cab 3/4" flashing LED hoist up warning light
- Back-up alarm & hoist up alarm
- Dual 4" lift and winch cylinders
- Dual safety/maintenance props
- Bolt on ready (no welding required)
- Ships out in 2-part epoxy paint
- Warranty: 1 year on hoist and 2 year limited on hydraulic system
- Customized engineering layouts ensure the best fit for each customer



Electric over hydraulic operation using a wireless remote control (8-button w/ emergency stop)



Secondary manual controls mounted outside (2-3 spool standard where applicable)



3 Micron return filtration inside of steel tank



BOC (back of cab) mounted steel tank w/ dual sight/temp gauge



Adjustable rear apron and split bumpers and LED lighting



Bolt on rear apron (3-piece design)



Rear wing skid plates & 2.5" outside rail rollers



5/8" Cable & 8" Cable sheaves w/ UHMW wear guides



Tarp/valve mounting platform & protective valve cover (tarp system ready)



Automatic spring loaded (pass over style) front safety lock



In cab 3/4" flashing LED hoist up warning light

FEATURES	WORK TRUCK MODELS
Hoist Main Frame	6" Structural tubing A500 grade C
Sub-Frame	2" Structural tubing A500 grade C
Hydraulic Pump	Gear type 21 GPM @1,500 RPM
Operating Pressure	1,850 PSI
Hydraulic Valve	2-3 Spool / 25 GPM w/ safety bypass & manual levers
Oil Reservoir	13-gallon BOC (17-gallon on WT-2018) steel tank w/ 3 micron filtration
Tank Shut Off	1 1/4" Gate valve
Lift Cylinders	(2) 4" Dual acting rod type
Winch Cylinders	(2) 4" Dual acting rod type
Ext. Tail Cylinder	(1) 3" Dual acting rod type ('X' model ONLY)
Outside Rollers	2 1/2" Rollers w/ bronze bearings
Cable/Cable End	5/8" Cable w/ pear eye cable end
Cable Sheaves	8" O.D. grease grooved w/ bronze bushings
Cable Anchors	Wedge & ferrule
Hinge Shaft	1 1/2" Solid steel
Front Stops	1/2" Steel plate
Front Safety Lock	Automatic spring loaded (pass over style)
Rear Hold Downs	Stationary 1/2" steel plate body latches

Optional Features

- Pioneer® tarping systems
- Toolbox styles and sizes (poly, steel, aluminum)
- Back-up camera systems
- Steel, aluminum or poly fenders
- Safety and work light packages
- Nylon ratchet rear hold downs
- Inside air controls (only available on WT-2018 models in class 6 chassis)
- Side mount oil tank
- Auxiliary front stops for shorter containers
- Lift axles, tires and rims



Pioneer® tarping systems



Toolbox styles and sizes (poly, steel, aluminum)



Back-up camera systems



Steel, aluminum or poly fenders



Safety and work light packages



Nylon ratchet rear hold downs



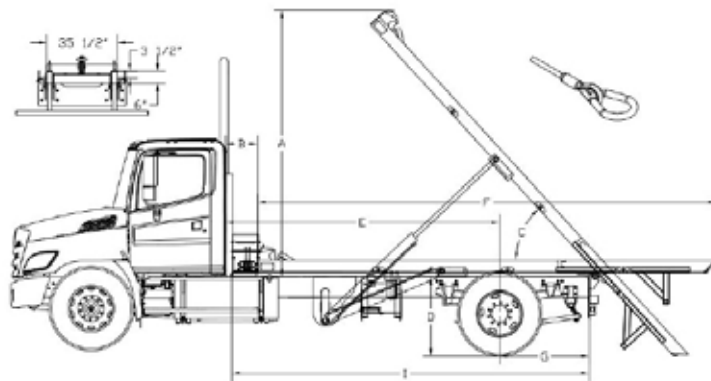
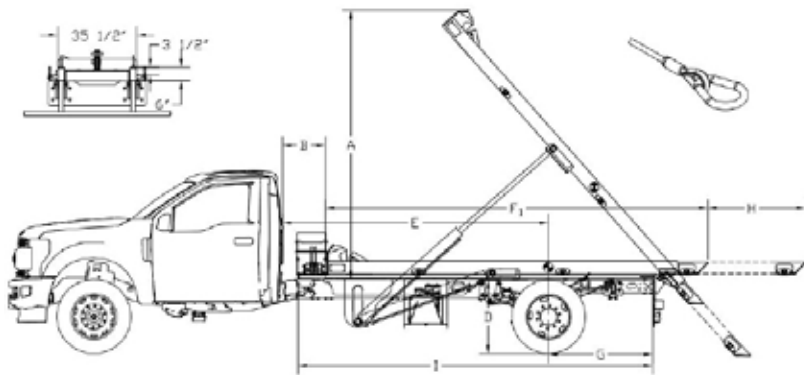
Inside air controls (only available on WT-2018 models in class 6 chassis)

WT-1216X shown w/ poly fenders, side mount oil tank and nylon ratchet rear hold down options



Side mount oil tank





Notes for chart below:

- 1 When recommending container lengths, weight distribution, fender interference and overhang are factors. Please consult your local ordinances when determining the model of hoist needed to suit your container needs.
- 2 Factory tested with recommended container length and a water level load.
- 3 Frame Height = top of truck chassis frame to ground. Using 17.5" (WT-1216) & 22.5" (WT-2018) tires only. For larger tires, consult engineering for clearance.
- 4 This distance already takes into consideration the hoist's bolted on tarp/valve platform and the BOC oil reservoir.

Models	WT-1216	WT-1216X	WT-2018	WT-2018X
FEATURES	SINGLE AXLE	SINGLE AXLE	SINGLE AXLE	SINGLE AXLE
Recommended Container Size ¹	10' to 16'	10' to 16'	12' to 18'	12' to 18'
Rated Hoist Capacity ²	12,000 lbs.	12,000 lbs.	20,000 lbs.	20,000 lbs.
A – Height Above Truck Frame ^{3,4}	121 3/8"	121 3/8"	133 7/8"	133 7/8"
B – Back of Cab to Hoist ⁴	19 3/8"	19 3/8"	16"	16"
C – Dump Angle	48°	48°	48°	48°
D – Truck Frame Height	33 1/8" to 36"	33 1/8" to 36"	32 1/2" to 42"	32 1/2" to 42"
E – (CA) Cab to Axle ⁴	120"	120"	138"	138"
F – Hoist Length (Fixed Tail)	206 1/2"	n/a	230"	n/a
F₁ – Hoist Length (Ext. Tail - Retracted)	n/a	172"	n/a	191"
G – After Frame	47" max.	47" max.	47" max.	47" max.
H – Extendable Tail Length	n/a	44"	n/a	48"
I – Front of Platform to Chassis Cut Off <small>(section of body mounted on top of chassis only)</small>	163 1/2"	163 1/2"	178 1/2"	178 1/2"
Lift Cylinders - (2) dual acting	4"x 2"x 54"	4"x 2"x 54"	4"x 2"x 54"	4"x 2"x 54"
Winch Cylinders - (2) dual acting	4"x 2"x 60"	4"x 2"x 60"	4"x 2"x 66"	4"x 2"x 66"
Extendible Tail Cylinder - (1) dual acting	n/a	3"x 1.5"x 48"	n/a	3"x 1.5"x 48"
Approximate Weight w/ Standard Features	2,968 lbs.	3,064 lbs.	3,325 lbs.	3,377 lbs.
Cycle Times @ 37.5 GPM & 1,500 RPM				
Raise Hoist Up	16 sec.	16 sec.	16 sec.	16 sec.
Lower Hoist Down	12 sec.	12 sec.	12 sec.	12 sec.
Winch Container On	18 sec.	18 sec.	20 sec.	20 sec.
Winch Container Off	14 sec.	14 sec.	16 sec.	16 sec.

Minimum Truck Requirements (Class 5)

Axle rating: 6,000 front / 14,700 rear (WT-1216)

Truck torque: 150' lbs.

*The chart below is an example of how to calculate the chassis section modulus (RBM/PSI = SM). Regardless of the frame YIELD and RBM, the min. SM must be 8.6 in³ or more per each frame rail.

Truck Channel Ht.	RBM	Yield (PSI)	RBM/PSI = SM in ³
8" or More	430,000 - 600,000	50,000 psi	8.6 in ³ - 12 in ³

Note: The single walled 50k psi with RBM less than 430,000 would not be acceptable because its SM would fall below the 8.6 in³ minimum specification (420,000/50,000 = 8.4 in³). For frames less than 8", consult engineering.

Minimum Truck Requirements (Class 6)

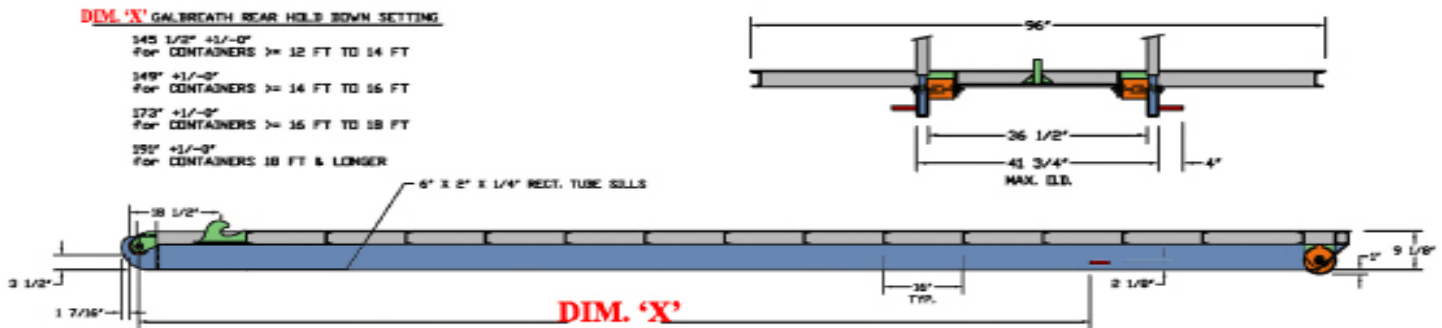
Axle rating: 8,000 front / 18,700 rear (WT-2018)

Truck torque: 150' lbs.

*The chart below is an example of how to calculate the chassis section modulus (RBM/PSI = SM). Regardless of the frame YIELD and RBM, the min. SM must be 11 in³ or more per each frame rail.

Truck Channel Ht.	RBM	Yield (PSI)	RBM/PSI = SM in ³
10" or More	880,000 - 1,400,000	80,000 psi	11 in ³ - 17.5 in ³

Note: The single walled 80k psi with RBM less than 870,000 would not be acceptable because its SM would fall below the 11 in³ minimum specification (870,000/80,000 = 10.9 in³). For frames less than 10", consult engineering.



*NOTE: For use with 10' containers, the hold down system will require other means such as ratchet type hold downs.

Distributed by:



Galbreath is a Wastequip brand. Wastequip is the leading North American manufacturer of waste and recycling equipment for collecting, processing and transporting recyclables and solid or liquid waste. © Wastequip 2018 All rights reserved. Specifications subject to improvement without notice. Equipment displayed should be operated by properly trained personnel. Operators should become familiar with OSHA, ANSI and any other applicable standards or laws for using this equipment. Improper use, misuse, or lack of maintenance could cause injury to people and/or property. Photos used in the literature are illustrative only. We assume no liability or responsibility for proper training/operation of equipment not manufactured by Wastequip. We reserve the right to make changes at any time without notice. Information contained within this literature is intended to be the most accurate available at time of printing.