



Tel: 800.285.0666 | sales@wastequip.com  
www.galbreathproducts.com

TM - Models

## ABOVE FRAME (AF-SERIES) CABLE HOISTS MODELS: AFCA-TM-22 & -24

**(AFCA-TM) – California Trough Mount** The trough section atop the hoist frame can be manufactured to specific widths and with variations to the tail sections. AFCA-TM hoists can haul a variety of containers with various understructure layouts. Although designed for the West Coast market, these models can be easily adapted for applications in other areas around the country.

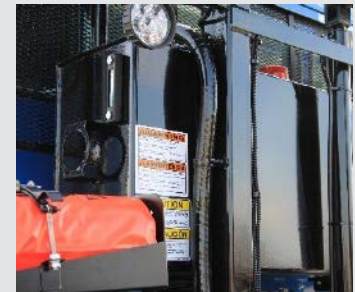


## Standard Features

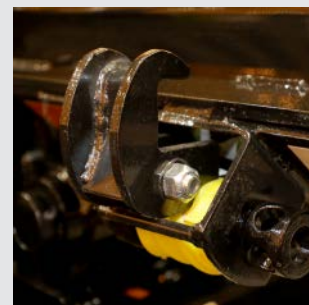
- Inside air controls mounted in our ergonomic Power Tower featuring Plug And Play™ wiring
- Outside controls mounted on driver's side
- Air assist auto folding ICC bumper
- Pintle ready rear aprons featuring a split bumper with LED lighting
- 10" wide troughs with flared tails
- All pivot joints & sheave blocks are easily accessed for service and grease
- 3 micron return filtration inside of steel tank with dual sight/temperature gauge
- Lifetime warranty on hoist frame, 2 year limited hydraulic system warranty
- Customized engineering layouts ensure the exact fit for each customer
- Back up alarm and hoist up alarm with signal light

FEATURE	
Hoist main frame	10" x 4" x 1/2" – A500 Grade C structural tubing
Hoist sub frame	4" x 4" x 1/4" – A500 Grade C structural tubing
Hydraulic pump	Direct mount gear type, 37 1/2 gpm @ 1,500 rpm
Operating pressure	3,200 PSI
Hydraulic valve	2 spool / 45 gpm with safety bypass
Oil reservoir	47 gallon BTC with 3 micron return filtration system
Lift cylinders	(2) DA – dual acting rod type
Hinge shaft	2 1/2" solid steel
Winch cylinder	(1) DA – dual acting rod type
Cable end	Oval eye
Cable sheaves	10" OD" grease grooved w/ bronze bushings
Cable anchors	Wedge and ferrule
Front stop	(2) moveable steel blocks (various styles offered)
Front hold downs	Heavy duty nylon ratchet straps
Rear hold downs	Heavy duty nylon ratchet straps

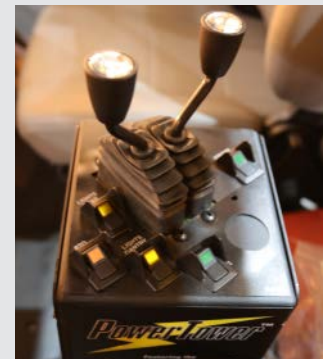
\* Factory mount models



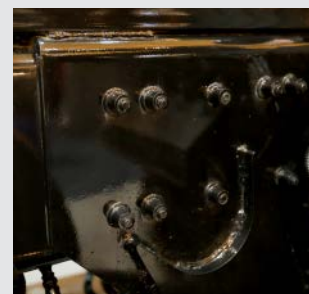
Behind the cab, steel tank with 3 micron return filtration (pictured at left)



HD nylon ratchet container hold downs



Inside air controls center mounted in ergonomic Power Tower featuring Plug And Play™ wiring. (Top) traditional cab, (bottom) cab over.



Huck bolted to chassis frames\*



Air Assist Auto Folding ICC Bumper



HD rear apron pintle ready with split bumper and LED lighting

## Available Options

- Steel, aluminum and poly fenders
- Pioneer tarping systems
- Trough width and flared tail variations
- Auxiliary stops and hold down systems
- Auxiliary hydraulic hook-ups/wet kits
- Hard plumbing
- Lift axles
- Tires and rims (steel, aluminum)
- Pintle hook and reese style hitch assemblies
- Speed limiting parameters for hoist up ground speed
- Scale systems
- Available in traditional U-Series models
- Special models per customer request
- Cable end types



Toolbox styles and sizes.



Pioneer tarping systems.



Trough widths (10" most common) and Tail flaring styles available.



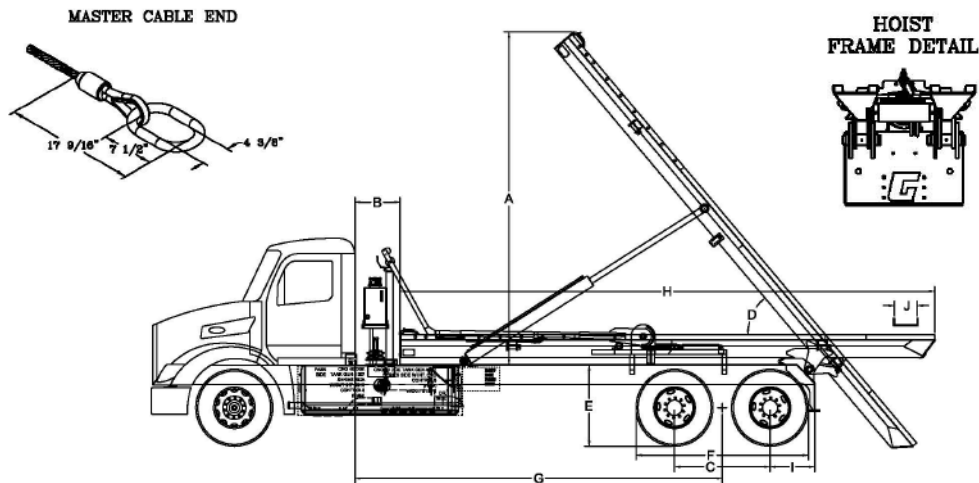
3 styles of moveable stops.

**AFCA-TM-24** shown with Pioneer Rack'n Pinion™, safety hi-vis lighting and move-able Standard Shoe front stop options.



**AFCA-TM**

Figure 1



**Notes for Figure 1**

- 1 When recommending container lengths, weight distribution, fender interference and overhang are all factors that need to be considered.
- 2 Factory tested with recommended container length and water level load.
- 3 Frame = top of truck chassis frame.
- 4 Length is 18" when oil tank is welded to tarper platform; or 24" if unable to weld oil tank to platform.
- 5 Using 22.5" tires only. For larger tires please consult sales representative.

**Minimum Truck Requirements (Tandem Axle)**

Axle Rating: 18,000 Front / 44,000 Rear  
 Truck Torque: 383 ft. lbs.

\*The chart below is an example of how to calculate the chassis section modulus (RBM/PSI = SM). Regardless of the frame YIELD and RBM, the min. SM must be 20 in<sup>3</sup> or more per each frame rail.

Specifications	AFCA-TM-22	AFCA-TM-24
Recommended container size	18' to 22'	20' to 24'
Rated hoist capacity	60,000 lbs.	60,000 lbs.
Lift cylinders (2)	6" x 3 1/2" x 73"	6" x 3 1/2" x 73"
Lift cylinders shaft	2 1/2"	2 1/2"
Winch cylinder (1)	7" x 4" x 80"	7" x 4" x 90"
A – Height above frame <sup>3</sup>	173"	186"
B – Back of cab to front of hoist <sup>4</sup>	18"	18"
C – Axle spread	50 – 55"	50 – 55"
D – Raised dump angle	50°	50°
E – Top of frame to ground <sup>3,5</sup>	43"	43"
F – Tire OD to OD	96" max.	96" max.
G – Cab to axle (CA), cab to trunnion (CT) Add 12" for tarper & hard plumbing	174"	194"
H – Hoist length	283"	303"
I – After frame (Add 2" for Air Ride)	23 – 25"	23 – 25"
J – Trough width	10" (common)	10" (common)
Approx. weight with standard features Ship out weight, un-mounted	9,140 lbs.	9,372 lbs.

Truck Channel Ht.	RBM	Yield (PSI)	RBM/PSI = SM in <sup>3</sup>
10" or More (single wall)	1,800,000 – 2,500,000	120,000 psi	15 in <sup>3</sup> - 20.8 in <sup>3</sup>
10" or More (double wall)	2,000,000 – 4,000,000	100,000 psi	20 in <sup>3</sup> - 40 in <sup>3</sup>

**Note:** the single walled 120k psi with RBM less than 2,400,000 would not be acceptable because its SM would fall below the 20 in<sup>3</sup> minimum specification (2,300,000/120,000 = 19.17 in<sup>3</sup>). For frames less than 10" consult engineering.

**Distributed by:**



Galbreath is a Wastequip brand. Wastequip is the leading North American manufacturer of waste and recycling equipment for collecting, processing and transporting recyclables and solid or liquid waste. © Wastequip 2017 All rights reserved. Specifications subject to improvement without notice. Equipment displayed should be operated by properly trained personnel. Operators should become familiar with OSHA, ANSI and any other applicable standards or laws for using this equipment. Improper use, misuse, or lack of maintenance could cause injury to people and/or property. Photos used in the literature are illustrative only. We assume no liability or responsibility for proper training/operation of equipment not manufactured by Wastequip. We reserve the right to make changes at any time without notice. Information contained within this literature is intended to be the most accurate available at time of printing.