

AFCD-OR-22/24 ABOVE FRAME ROLL-OFF CABLE HOISTS



Tel: 800.285.0666 | sales@wastequip.com
www.galbreathproducts.com



Above Frame (AF) cable hoists are versatile enough to work with any truck chassis, suspension, exhaust system or fuel tank.

» **50,000 lb. capacity**
(AFCD-OR-22)

» **40,000 lb. capacity**
(AFCD-OR-24)

» **Tandem axle**

Standard Features

Ease of Operation

- Centered cab-mount Power Tower
- Plug n' Play wiring system
- Pintle-ready rear aprons
- Standard inside air control

Safety

- CMVSS 905 compliant ratchets
- Heavy-duty safety props
- Backup alarm and hoist up alarm with signal light on dash

Durability

- 3 micron filtration system with dual viscosity oil*
- Two-part epoxy primer and paint*
- Field tested heavy-duty rear hinge
- Hoist frames are huck-bolted to chassis*
- Oil reservoir is filter cart ready
- LED lighting
- Lifetime warranty on frame and two-year warranty on hydraulics**

Quality

- Stringent, multi-year product testing, engineering, solid modeling, and stress analysis testing ensure maximum product quality
- Customized engineering layouts based on customers' chassis ensure compatibility

Also Standard

- Rail width: 33-1/2" to 35"
- Main frame: 12" X 3/8" with T-1 wear strips on top of rail
- Safety lock (gunne-bow) cable end
- Rear ground roller
- Entire hoist sits on top of truck frame

Available Options

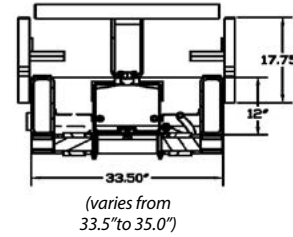
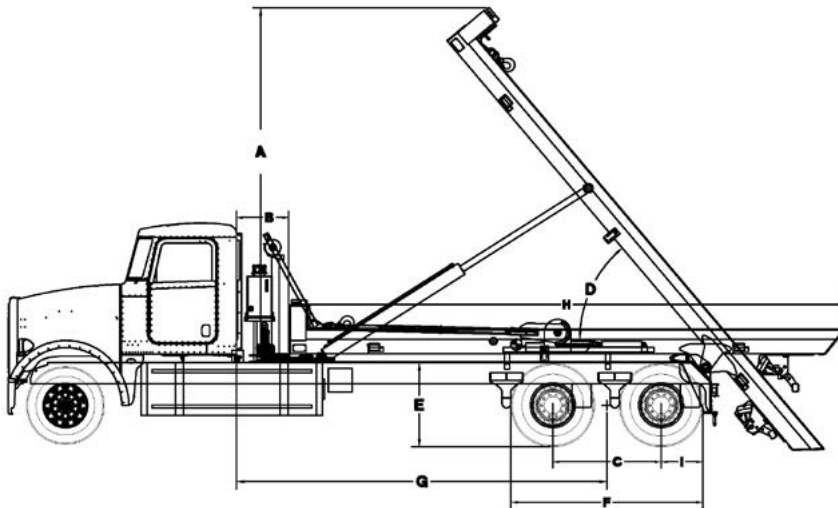
- Pintle hook applications
- 80-gallon oil reservoir for live pup trailers
- Air-assist fold-up ICC bumper
- Various fender options
- 1/4" T-1 side wear strip
- Auxiliary hydraulic hook-ups
- Hoist up speed control programming*
- Tarping systems
- Side rollers (optional side rollers must be compatible with all containers being used)
- Special safety lighting with strobes
- Pressure-side oil filter

All Galbreath products are designed to be compliant with ANSI standard container requirements.

** Factory mount models*

*** Refer to complete warranty statement for more information*

AFCD-OR-22/24 ABOVE FRAME ROLL-OFF CABLE HOISTS



SAFETY LOCK CABLE END



FEATURE	AFCD-OR 22	AFCD-OR 24
Recommended container size ¹	20-22'	22-24'
Rated capacity ²	50,000 lbs	40,000 lbs.
A - Height above truck frame ³	180"	191-5/16"
B - Back of Cab to Hoist ⁴	18"	18"
C - Axle spread	51-60"	51-60"
D - Raised dump angle	50°	50°
E - Top of truck frame to ground ^{3, 5, 6}	45"	45"
F - Tire OD to OD	98"	98"
G - Clear Cab to Trunnion (CT) (includes behind the cab tank on tarper mounting platform and Pioneer Rack 'n Pinion tarper)	188"	208"
H - Hoist length	281-1/2"	302-3/8"
I - After frame	25"	25"
Lift cylinders (2) DA = double acting	5" x 3-1/2" x 73" DA	5" x 3-1/2" x 73" DA
Winch cylinder (1) DA = double acting	7" x 6-1/2" x 156" DAT	7" x 6-1/2" x 166" DAT
Approximate weight with standard features	8,454 lbs.	8,754 lbs.

FEATURE	AFCD-OR 22/24
Hoist frame	12" x 4" x 3/8" - A500 Grade C tubing with T1 3/8 x 3" wear strip on top of rail
Subframe	4" x 4" x 1/4" - A500 Grade C tubing
Front stop	Two (2) 8" x 2" x 1/4" A500 grade "L" RTC with two (2) 1" x 2" A36
Front hold-downs	Two (2) nylon ratchet hold-downs (CMVSS 905 compliant)
Hinge shaft	2-1/2" solid steel
Cable anchors	Cold-rolled C1018 steel shaft
Cable end	Self-locking swivel hook
Rear hold-downs	3/4" plate located for standard containers with 2 CMVSS 905 compliant ratchet straps
Operating pressure	3,200 psi
Hydraulic pump	Gear type, 37-1/2 GPM @ 1500 RPM
Hydraulic valve	2 spool / 45 GPM with safety bypass
Behind-the-cab (BTC) oil reservoir	47-gallon with 3 micron return filter
Cable sheaves	10" O.D. with grease-grooved bronze bushings
Working points	Greasable

TRUCK REQUIREMENTS	
Chassis front suspension rating	18,000 lbs. (minimum) capacity with power steering
Chassis rear suspension rating	40,000 lbs. (minimum) capacity with walking beam suspension
Frame modulus	50,000 psi or more chassis frame - minimum section modulus = 24 in ³
Torque required	383 foot pounds of torque

Notes for chart above:

- 1 When recommending container lengths, weight distribution, fender interference and overhang are factors
- 2 Factory tested with recommended container length and water level load
- 3 Frame = top of truck chassis frame
- 4 Length is 18" if welding oil tank to tarper support, or 24" if unable to weld oil tank to the tarper support
- 5 Use 22.5" tires only; for larger tires, consult representative
- 6 Request additional tail length for spring suspensions higher than 45"



Tel: 877.468.9278 | sales@wastequip.com | www.galbreathproducts.com

Galbreath is a Wastequip brand. Wastequip is the leading North American manufacturer of waste and recycling equipment for collecting, processing and transporting recyclables and solid or liquid waste. © Wastequip March 2015. All rights reserved. Specifications subject to improvement without notice. Equipment displayed should be operated by properly trained personnel. Operators should become familiar with OSHA, ANSI and any other applicable standards or laws for using this equipment. Improper use, misuse, or lack of maintenance could cause injury to people and/or property. Photos used in the literature are illustrative only. We assume no liability or responsibility for proper training/operation of equipment not manufactured by Wastequip. We reserve the right to make changes at any time without notice. Information contained within this literature is intended to be the most accurate available at time of printing.