

# M6-200 SERIES ROLL-OFF TRAILER



Tel: 800.285.0666 | sales@wastequip.com  
www.galbreathproducts.com

## MIGHTY<sub>200</sub>

### Features

- ▶ 60,000 lb. hoist capacity
- ▶ Lightweight (12,600 lbs.)
- ▶ Two (2) telescoping lift cylinders provide greater stability
- ▶ Handles containers up to 26' long (OR and IO models) or 24' (EX models)
- ▶ Shorter overall length for greater maneuverability
- ▶ Lower trailer height accommodates tall containers

**Available Models:**  
Deadlift (HH)  
Extendable Tail (EX)  
Inside/Outside Rail (IO)  
Outside Rail (OR)



All Galbreath products are designed to be compliant with ANSI standard container requirements.

\*EX model shown with following options: aluminum diamond plate fenders, aluminum rims, and premium red paint. Standard has black paint, quarter poly rear fenders, and steel rims.

### Options

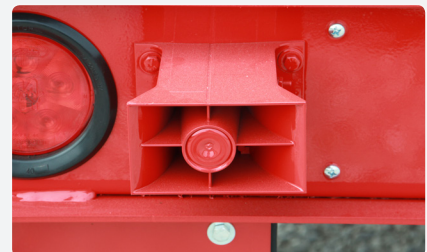
- ▶ Tarping systems
- ▶ Aluminum wheels
- ▶ Toolbox
- ▶ Auto grease system
- ▶ Auto air inflation system
- ▶ Air ride suspension



"Plug n Play" wiring system eliminates crossed wires, loose connections, corrosion and splices; allows for simple light replacement.



Automatic front container spring-loaded locking system and rear container hold-downs help ensure container remains in place.



The hoist-up alarm is a standard safety feature. When hoist is raised, alarm will sound, warning of hoist and container movement.



All trailer hoists have dual safety props to add extra security when the hoist is in the up position. 7 rollers per side help aid the container as it is loaded or unloaded on the hoist. Each roller is equipped with a bearing and a grease fitting for easy rolling and maintenance.

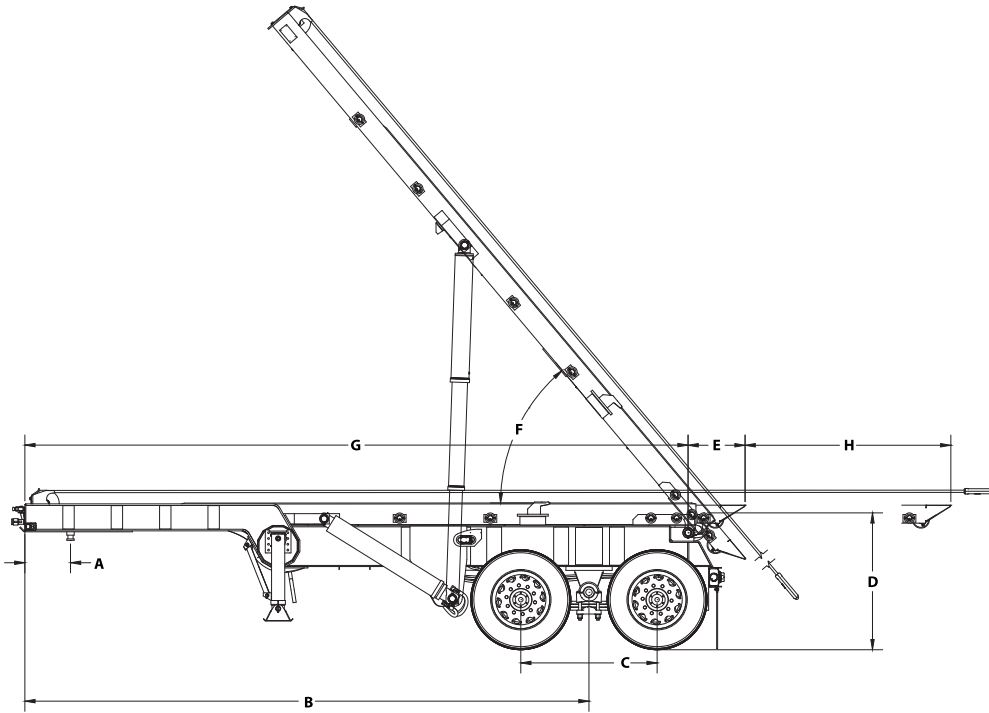


2 cylinders are mounted on the outside of the rails to provide stability when loading heavy boxes.



Optional full aluminum diamond plate fenders shown. Quarter poly rear fenders are standard.

# M6-200 SERIES ROLL-OFF TRAILER



M6-EX-200	M6-OR-200
A = 18"	A = 18"
B = 219-5/16"	B = 219-5/16"
C = 53"	C = 53"
D = 53-3/16"	D = 53-3/16"
E = 22-3/16"	E = 71-9/16"
F = 50°	F = 50°
G = 257-3/4"	G = 257-3/4"
H = 80"	H = 80"

## GENERAL TRAILER INFORMATION

Overall Trailer Length	(G+E) = 27' 5" (OR) and = 23' 4" (EX)
Weight	12,600 lbs. (EX)
Dump Angle	(F) 50°
Ratchet / Hold Down System	Ratchet / stationary hold downs
Container Range	18'-26' (OR) and 18'-24' (EX)
Hoist Capacity	60,000 lbs.
GVWR Rating	68,000 lbs.
Rollers / Sheaves	All Greasable
Lighting	LED
ICC Bumper	Standard on OR model

## STRUCTURES

Hoist Frame	8" X 4" X 1/2" rect. tubing ASTM A500 Grade C (3/8" EX)
Trailer Frame	16" X 36# W.F. i-beam Grade 50
Cable	7/8", 6 x 37 EXIWRC regular right lay
Finish / Paint	2-part black epoxy

## AXLES, SUSPENSION AND BRAKING

Axles Rating	25,000 lbs.
Suspension Rating	50,000 lbs. Hutch Single Point Tandem
Landing Gear	200,000 lbs., 2-Speed
Tires	11R X 22.5 16 Ply
Wheels	Steel 10 hole hub piloted
Fenders	Quarter poly (steel or aluminum available)
Brake System	ABS

## HYDRAULICS

Lift Cylinders	6" X 5" X 79" DA TELESCOPIC
Winch Cylinders	7" X 4" X 90" DA with ground and polished rod
Working Pressure	2,000 PSI
Maximum Pressure	2,500 PSI
Hoses	3,125 PSI
Plumbing	Hydraulic steel tubing



Tel: 877.468.9278 | sales@wastequip.com | www.galbreathproducts.com

Galbreath® is a Wastequip® brand. Wastequip is the leading North American manufacturer of waste and recycling equipment for collecting, processing and transporting recyclables and solid or liquid waste. January 2015 © Wastequip, all rights reserved. Specifications subject to improvement without notice. Equipment displayed should be operated by properly trained personnel. Operators should become familiar with OSHA, ANSI and any other applicable standards or laws for using this equipment. Improper use, misuse, or lack of maintenance could cause injury to people and/or property. Photos used in the literature are illustrative only. We assume no liability or responsibility for proper training/operation of equipment not manufactured by Wastequip. We reserve the right to make changes at any time without notice. Information contained within this literature is intended to be the most accurate available at time of printing.