

U5-OX-174/194 ROLL-OFF CABLE HOISTS

LEGACY U-SERIES



Tel: 800.285.0666 | sales@wastequip.com
www.galbreathproducts.com



Extra Long Extendable Tail (OX) roll-off cable hoists are the perfect option when low loading angles are needed. The OX hoist model offers the lowest loading angle of any Galbreath product at 23 degrees¹. The OX, offering a standard air assist ICC bumper, combines the standard features of an OR model hoist with the flexibility and versatility of the 48" stinger tail from the EX model.

U5-OX-174 shown with Pioneer tarping system. Rear wing skid plates with outboard supported side rollers, fold down over the cylinder & flip up/down recessed in-frame auxillary stops and steel toolbox options

- » **Tandem axle trucks**
- » **60,000 lb. capacity**

Standard Features

Ease of Operation

- Centered cab mount - Power Tower with standard air controls
- Plug n' Play wiring system
- Pintle-ready rear aprons
- Hydraulic oil tank manual shut off valve
- Low loading angles w/ additional 48" of tail extension

Safety

- Split bumper with LED lighting and back-up alarm
- Heavy duty rear apron assembly
- Fixed rear hold downs
- Heavy duty safety stops
- Air assist fold-up ICC bumper
- Backup & hoist up alarm with signal light in cab
- Minimal truck chassis modification required

Durability

- All pivot joints, roller assemblies & sheave blocks easily accessed for service and grease
- Frames are huck-bolted to chassis (factory mounted units)
- 3 micron hydraulic return oil filtration
- 10 micron breather filter on hydraulic oil tank
- 100 micron mesh screen suction strainer inside tank
- Limited lifetime warranty on frame
- 2 year limited hydraulic system warranty

Quality

- Lean manufacturing processes
- Engineered with solid modeling to ensure maximum product quality
- Stress analysis testing
- Customized engineering layouts ensure the exact fit for each customers' chassis
- Phosphorous wash before the two-part epoxy primer and paint (factory mounted units)

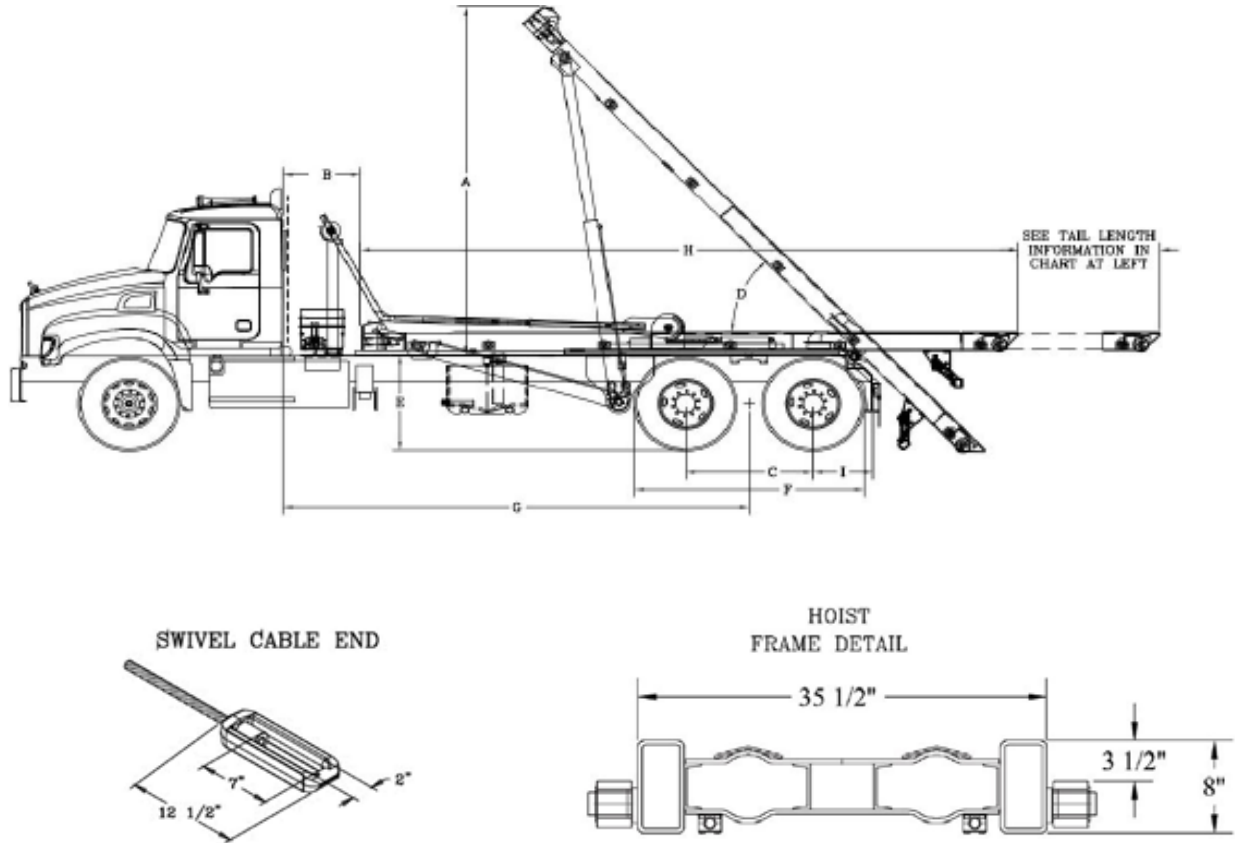
Available Options

- Steel, aluminum or poly fenders
- Pioneer tarping systems
- Reverse mount & telescopic lift cylinders
- Auxiliary stops & hold down systems
- Lift axles
- Pintle hook applications
- Speed-limiting parameters for hoist-up
- Scale systems
- Outside/inside rail (OR, IO models)
- Special model and option configurations available upon customer request
- 75,000 lb. capacity model also available

¹ Depends on chassis setup and configuration, suspension, and frame height.

U5-OX-174/194 ROLL-OFF CABLE HOISTS

Figure 1



FEATURE	TANDEM AXLE
Hoist main frame / sub-frame	MF - 8" x 4" x 1/2" / SF - 3" x 2" x 3/16" A500 Grade-C structural steel tubing
Front stops	1 1/2" steel plate
Front safety lock	Automatic spring loaded (driver's side only, curb side option available)
Hinge shaft	2 1/2" solid steel
Cable anchors	4 cable clamps
Cable / cable end	7/8" XIP steel cable / swivel eye cable end 79,600 lbs. test
Cable sheaves	10" OD (outside diameter) grease grooved with bronze bearings
Working points	Greasable
Outside rollers	4" OD with bronze bearings (5 per side)
Rear hold downs	3/4" steel plate located for standard Wastequip containers
Oil reservoir	50 gallon with 3 micron return filter / 10 micron tank breather filtration / 100 micron mesh screen suction strainer
Hydraulic pump	Gear type 35 gpm @ 1,500 rpm
Hydraulic valve	2 - spool / 45 gpm with safety bypass
System operating pressure	1,850 psi
Lift cylinders	(2) - Dual acting, rod type
Winch cylinders (reeving system)	(2) - Dual acting, rod type

Notes for Figure 1

- 1 When recommending container lengths, weight distribution, fender interference and overhang will all be factors
- 2 Factory tested with recommended container length and water level load
- 3 Frame = top of truck chassis frame
- 4 Use 22.5" tires only; for larger tires, consult representative
- 5 Request additional tail length for spring suspensions higher than 45"

Truck Specifications

Front axle: 18,000 lbs. (minimum) capacity
 Rear axle: 44,000 lbs. (minimum) capacity
 50,000 psi or more chassis frame
 Minimum section modulus = 24 in.³

	U5-OX Model		U75-OX Model	
	174" CA/CT	194" CA/CT	174" CA/CT	194" CA/CT
Recommended container size ¹ (see note above)	18' - 22'	20' - 24'	18' - 22'	20' - 24'
Rated hoist capacity ² (see note above)	60,000 lbs.	60,000 lbs.	75,000 lbs.	75,000 lbs.
Lift cylinders	6" x 4" x 72"	6" x 4" x 72"	7" x 4" x 72"	7" x 4" x 72"
Lift cylinder hinge pin size	2 ½"	2 ½"	2 ½"	2 ½"
Winch cylinders	7" x 4" x 80"	7" x 4" x 90"	7" x 4" x 80"	7" x 4" x 90"
<i>For references below use drawing pictured above (figure 1)</i>				
A - Height above truck frame ³ (see note above)	161 ¾"	180 9/16"	161 ¾"	180 9/16"
B - Back of cab to front of hoist	6"	6"	6"	6"
C - Axle spread	50 - 55"	50 - 55"	50 - 55"	50 - 55"
D - Raised dump angle	47°	48°	47°	48°
Loading angle	23°	24°	23°	24°
E - Top of truck frame to ground ^{3,4} (see notes above)	42"	42"	42"	42"
F - Tire OD to OD	96" Max.	96" Max.	96" Max.	96" Max.
G - Cab to axle (CA), cab to trunnion (CT) (add 12" for tarper and/or hard plumbing)	174"	194"	174"	194"
H - Hoist length ⁵ (see note above)	280"	298 ¾"	280"	298 ¾"
Tail length (fully extended)	Add 48"	Add 48"	Add 48"	Add 48"
I - After frame (add 2" for air ride)	23"	25"	23"	25"
Air activated ICC bumper is standard on OR, IO, OX, XI and SI models)	Std.	Std.	Std.	Std.
Approximate weight with standard features	7,520 lbs.	7,830 lbs.	7,870 lbs.	8,180 lbs.



Tel: 800.285.0666 | sales@wastequip.com
www.galbreathproducts.com



Galbreath is a Wastequip brand. Wastequip is the leading North American manufacturer of waste and recycling equipment for collecting, processing and transporting recyclables and solid or liquid waste.
© Wastequip 2017 All rights reserved. Specifications subject to improvement without notice. Equipment displayed should be operated by properly trained personnel. Operators should become familiar with OSHA, ANSI and any other applicable standards or laws for using this equipment. Improper use, misuse, or lack of maintenance could cause injury to people and/or property. Photos used in the literature are illustrative only. We assume no liability or responsibility for proper training/operation of equipment not manufactured by Wastequip. We reserve the right to make changes at any time without notice. Information contained within this literature is intended to be the most accurate available at time of printing.

GAL060-032017