

U5WC-OR-174, -186, -194 LEGACY U-SERIES CABLE HOISTS



Tel: 800.285.0666 | sales@wastequip.com
www.galbreathproducts.com



WC–West Coast, these legacy series cable hoists were specifically developed to operate in the West Coast market and fulfill the end users' needs. With a single winch cylinder design, the hoist has faster cycle times and increased payload capacity.

- » **60,000 lb. dump & 30,000 lb. winch capacity**
- » **Tandem axle**

U5WC-OR-186 shown with Pioneer Rack 'N Pinion, hi-vis safety lighting, rear wing skid plate with additional side roller, rear window screen and fire extinguisher options.

U5WC-MODELS

Standard Features

Ease of Operation

- Inside air controls mounted in our ergonomic Power Tower
- Outside controls mounted outside of driver's side
- Air assist auto folding ICC bumper with PTO engagement
- Plug n' play wiring
- Pintle ready rear aprons

Safety

- Backup alarm and hoist up alarm with signal light in cab
- Split bumper with LED lighting
- Heavy duty safety props
- Heavy duty rear apron assembly
- Heavy duty rear nylon ratchet straps

Durability

- All pivot joints, roller assemblies and sheave blocks are easily accessed for service and grease

- Frames are huck bolted to chassis*
- Hot phosphorous wash before 2-part epoxy primer and paint*
- 10 micron return filtration inside of steel tank with dual sight/temperature gauge
- Lifetime warranty on hoist frame
- 2 year limited hydraulic system warranty

Quality

- Lean manufacturing processes
- Engineered with solid modeling to ensure maximum product quality
- Stress analysis testing
- Customized engineering layout ensures the exact fit for each customer

Also Standard

- Rail width: 34.5"
- Main frame: 8" x 4" x 3/8"
- Master link cable oval end
- Rear ground roller removed and replaced with California compliant light bar
- Three (3) sets of outside rollers

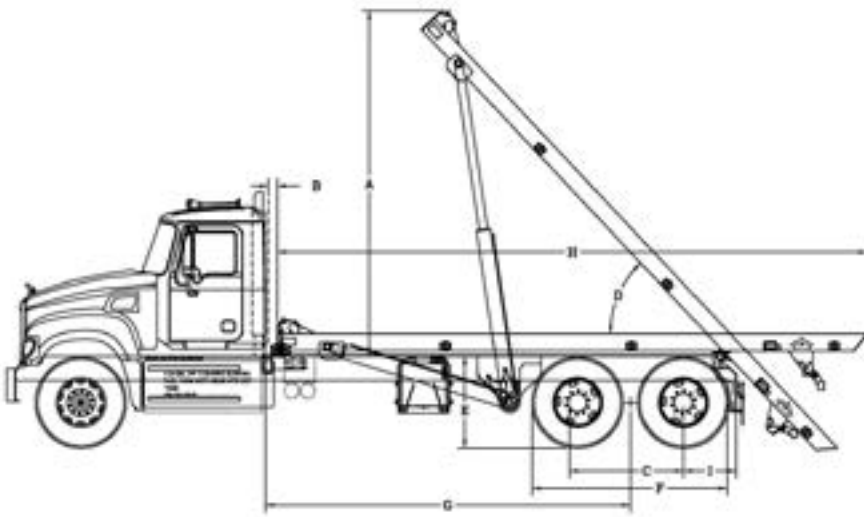
Available Options

- Steel, aluminum or poly fenders
- Pioneer tarping systems
- Auxiliary stops and hold down systems
- Auxiliary hydraulic hook-ups/wet kits
- Lift axles
- Tires and rims (steel, aluminum)
- Pintle hook and Reese style hitch assemblies
- Additional safety lighting
- Rear ground roller
- Speed limiting parameters for hoist up ground speed*
- Scale systems
- Special models per customer request
- Available in Above Frame (AF) models

* **Factory mount models**

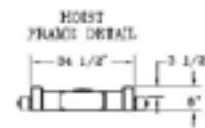
LEGACY U-SERIES U5WC-OR-174, -186, -194

TRUCK SPECIFICATIONS



Minimum truck requirement:

- Front axle: 18,000 lbs. (min.) capacity
- Rear axle: 44,000 lbs. (min.) capacity
- 50,000 psi or more chassis frames
- Minimum section modulus = 20 in³
- Truck torque: 248 ft. lbs.



Notes for chart below:

- 1 When recommending container lengths, weight distribution, fender interference, and overhang are factors.
- 2 Factory tested with recommended container length and water level load.
- 3 Frame = top of truck chassis frame.
- 4 This distance does not allow for behind-the-cab (BTC) oil reservoir, tarper platform, or room to add a tarper; must add space to accommodate these items.
- 5 Use 22.5" tires only; for larger tires, please consult sales representative.
- 6 30,000 lb. winch capacity and 60,000 lb. lifting capacity.

FEATURE	U5WC-OR-174	U5WC-OR-186	U5WC-OR-194
Recommended container size ¹	18-22'	18-22'	20-24'
Rated hoist capacity ^{2,6}	30,000 / 60,000 lbs.	30,000 / 60,000 lbs.	30,000 / 60,000 lbs.
Lift cylinders	6" x 4" x 72"	6" x 4" x 72"	6" x 4" x 72"
Lift cylinders shaft	2 1/2"	2 1/2"	2 1/2"
Winch cylinder (1)	7" x 4" x 80"	7" x 4" x 90"	7" x 4" x 90"
A - Height above truck frame ³	173"	180 1/2"	188"
B - Back of cab to front of hoist ⁴	4 7/8"	4 7/8"	4 7/8"
C - Axle spread	50-55"	50-55"	50-55"
D - Raised dump angle	47°	50°	50°
E - Top of frame to ground ^{3,5}	45"	45"	45"
F - Tire OD to OD	96"	96"	96"
G - Cab to axle (CA), cab to trunion (CT) (add 12" for tarper and hard plumbing)	174"	186"	194"
H - Hoist length	280"	291"	300"
I - After frame (add 2" for air ride)	23-25"	23-25"	23-25"
Approx. weight with standard features (ship out weight, unmounted)	5,950 lbs.	6,108 lbs.	6,210 lbs.

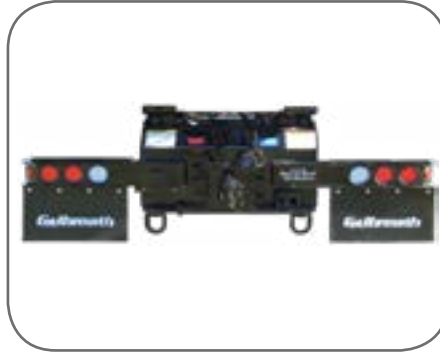
FEATURE	U5WC-OR-174 / U5WC-OR-186 / U5WC-OR-194
Hoist main frame	8" x 4" x 3/8" - A500 grade C structural tubing
Hoist subframe	3" x 2" x 3/16" - A500 grade C structural tubing
Hydraulic pump	Direct mount gear type, 42 gpm @ 1500 rpm
Operating pressure	1,850 psi
Hydraulic valve	2 spool / 45 gpm with safety bypass
Oil reservoir	30 gallon side mount; 10 micron return filtration system
Lift cylinders	2 DA - Dual acting rod type
Hinge shaft	2 1/2" solid steel
Winch cylinders	1 DA - Dual acting rod type
Cable end	Master link (oval eye)
Cable sheaves	10" O.D. grease-grooved with bronze bushings
Cable anchors	Wedge and ferrule cable clamp
Front stops	Fixed 5/8" plate
Front safety lock	Automatic spring loaded
Rear hold-downs	Heavy duty nylon ratchet straps
Side rollers	4" O.D. with bronze bushings

GALBREATH QUALITY

Standard Features



Side mounted steel tank with dual sight/temperature gauge and 10 micron return oil filtration.



Heavy duty rear apron that comes pintle ready and a split bumper come standard on most tandem axle cable hoist models (shown with pintle hook option).



In-cab Power Tower featuring "plug n' play" wiring and smooth hydraulic activation through air over hydraulic controls.



Automatic spring loaded front container lock helps ensure containers remain in place.



Rear cross members with California compliant lighting.



Air assist ICC bumper standard on most cable hoists models (not required on HH, EX, EH, IX models).

Available Options



Heavy duty rear wing skid plates.



High quality steel, aluminum and poly constructed toolboxes available.



Pioneer tarping systems available in a variety of models to fit your application.



Flip up/fold down in-frame auxiliary stops.



Tel: 800.285.0666 | sales@wastequip.com
www.galbreathproducts.com



Galbreath is a Wastequip brand. Wastequip is the leading North American manufacturer of waste and recycling equipment for collecting, processing and transporting recyclables and solid or liquid waste.
© Wastequip 2017 All rights reserved. Specifications subject to improvement without notice. Equipment displayed should be operated by properly trained personnel. Operators should become familiar with OSHA, ANSI and any other applicable standards or laws for using this equipment. Improper use, misuse, or lack of maintenance could cause injury to people and/or property. Photos used in the literature are illustrative only. We assume no liability or responsibility for proper training/operation of equipment not manufactured by Wastequip. We reserve the right to make changes at any time without notice. Information contained within this literature is intended to be the most accurate available at time of printing.

GAL071-052017